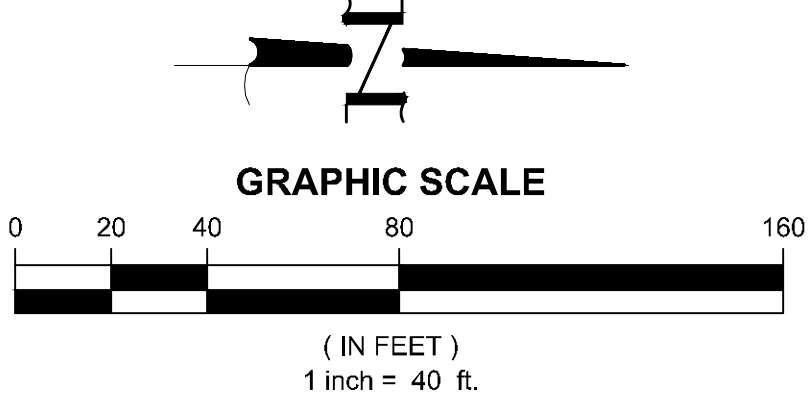


- LEGEND**
- WATER
 - SEWER
 - STORM DRAIN
 - STREET LIGHT
 - FIRE HYDRANT



DATE:	NO.	REVISIONS

APPLICANT/DEVELOPER
PLC COMMUNITIES

ENGINEER
MDS CONSULTING
 5 PETERS CANYON ROAD
 SUITE 305
 IRVINE, CA 92608
 (949) 251-8821
 WWW.MDSCONSULTING.NET
 PLANNERS ENGINEERS SURVEYORS

TRACT MAP NO. 20845
EAST CHINO SPECIFIC PLAN
NEIGHBORHOOD 3 / SUBAREA C
CYPRESS AVE - COMPOSITE UTILITY
 CITY OF CHINO, COUNTY OF SAN BERNARDINO, STATE OF CALIFORNIA

VESTING TENTATIVE TRACT MAP - VTTM 20845